

AV70 Solar Aviation Light

Typical Applications

- Solar Airstrip Light
- Solar Barricade Light
- Solar Caution Light
- Solar Taxiway Light (ICAO)
- Solar Threshold Light
- Solar Obstruction Light

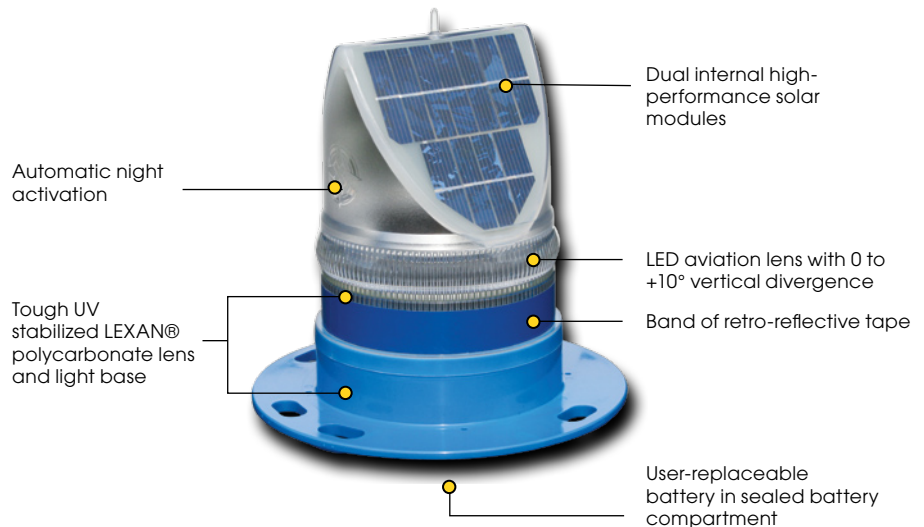
Major Benefits

- 3.7km visible range (flashing)
- Integrated solar/battery system
- Dual internal high-performance solar modules angled to maximize solar collection
- IP68 waterproof rating
- User-replaceable battery
- ICAO Compliant AV70 Solar Taxiway Light
- Ultra-high intensity LEDs (no changing globes ever)



Accepted by Commercial Part 139 Airports under the FAA Advisory Circular AC150/5370-2E for construction and barricade installations.

The AV70 Solar Taxiway Light meets the requirements of ICAO Annex 14 Volume 1, "Aerodrome Design and Operations", 4th edition July 2004, paragraph 5.3.17.7.



The solar powered AV70 airfield light offers enormous benefits over traditional battery and hard-wired airfield lights including low maintenance and no underground wiring.

These completely self-contained LED lights are designed to suit a range of aviation and general applications including emergency airstrip, caution, taxiway, and threshold lighting.

The unit has two high-performance solar modules mounted within the lens, which maximize solar collection and provide reliable operation in a range of environment conditions.

The focal plane of the light is designed to provide a vertical divergence of between 0 and +10 degrees, and the user-replaceable battery ensures a service life of up to 12 years.

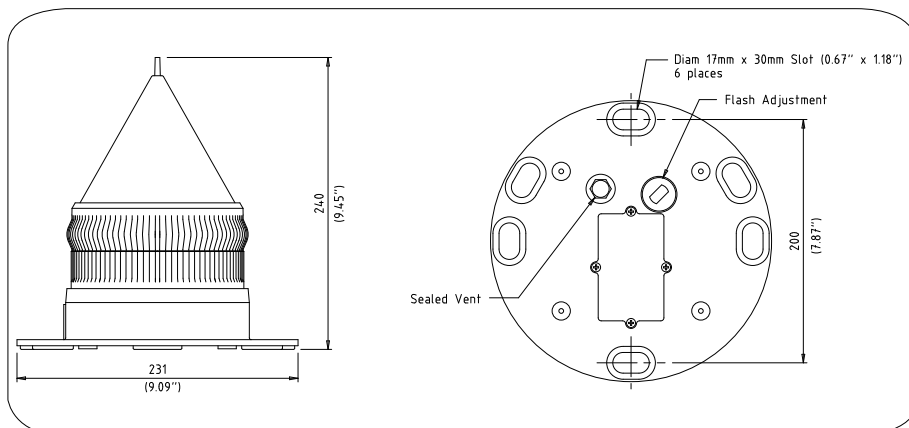
The AV70 is made from tough, durable UV stabilized LEXAN® polycarbonate, and incorporates an internal photodiode for automatic night activation once the ambient light threshold drops sufficiently.

Completely self-contained and able to be installed in minutes, the AV70 is the preferred choice of remote airfields throughout Australia - where the units mark indigenous airstrips, and regional council's and mining strips around the country.

AV70-CS

Optional internal RF module enables remote control of lantern, and flash synchronisation when all lights are set to the same flash characteristics.





SPECIFICATIONS •

Light Characteristics

Light Source	12 ultra-high intensity LEDs
Available Colours	Red, Green, White, Yellow, Amber, Blue, Sectored Combinations
Peak Intensity (Cd)	>12 flashing, >5 fixed-on (Colour dependent)
Visible Range (nm)	>2.8 flashing, >1.8 fixed-on
Horizontal Output (degrees)	360
Vertical Divergence (degrees)	0 to +10
Reflector Type	Omnidirectional 360° LED Reflector (US Pat. No. 6,667,582. AU Pat. No. 778,918)
Available Flash Characteristics	>250 including fixed-on (user-adjustable)
Intensity Adjustments	Adjustable in 25% increments
LED Life Expectancy (hours)	>100,000

Electrical Characteristics

Operating Voltage (v)	3.6
Autonomy (days)	>20 (14 hour darkness, 12.5% duty cycle)
Temperature Range	-40 to 80 °C

Solar Characteristics

Solar Module Type	Multicrystalline
Output (watts)	2.5 (2 x 1.25watt)
Solar Module Efficiency (%)	14
Charging Regulation	Microprocessor controlled

Power Supply

Battery Type	High grade NiMH – Environment friendly
Battery Capacity (Ah)	8
Nominal Voltage (v)	3.6

RF Synchronisation (optional)

Frequency	2.5Ghz
Range	1.5km between 2 lights, relayed
Expandability	Peer to Peer Networking
Approvals	FCC / CE

Physical Characteristics

Body Material	LEXAN® Polycarbonate – UV stabilized
Lens Material	LEXAN® Polycarbonate – UV stabilized
Lens Diameter (mm/inches)	140 / 5½
Lens Design	External optics with interior flute design
Mounting	6 x 17mm holes on 200mm PCD
Height (mm/inches)	240 / 9½
Width (mm/inches)	231 / 9½
Mass (kg/lbs)	1.1 / 2¾
Product Life Expectancy	Up to 12 years

Certifications

CE	EN61000-6-3:1997. EN61000-6-1:1997
Quality Assurance	ISO9001:2000
Waterproof	IP68

Intellectual Property

Patents	US Pat. No. 6,667,582. AU Pat. No. 778,918
Trademarks	AVLITE® is a registered trademark of Avlite Systems

Warranty

Full 3 year warranty

Options Available

- Hard-wire synchronization
- Voltage-free contact
- RF Synchronisation (AV70-CS)
- Radio-controlled
- IR

CE

• Specifications subject to change or variation without notice



ROYAL FLYING DOCTOR SERVICE
OF AUSTRALIA

Avlite donates AUD\$20 to the Royal Flying Doctor Service from the sale of each AV60 & AV70 light within Australia